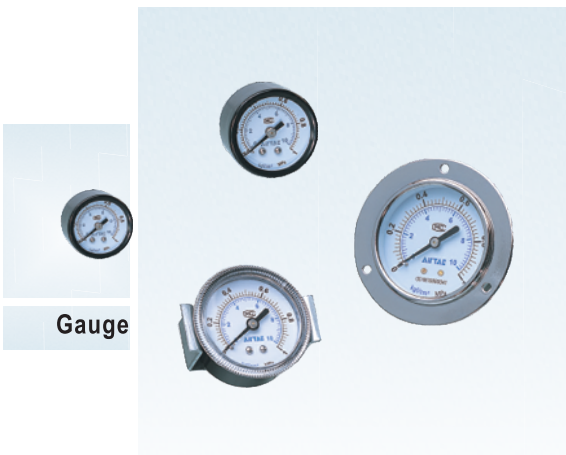


## Pressure gauge



Gauge

### Symbol



### Product feature

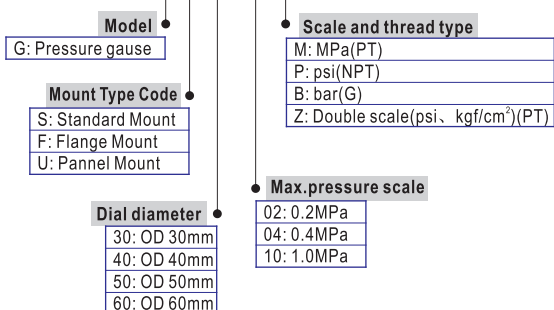
1. It has sensitive reaction and can work under low pressure.
2. The displayed words in the dial are clear and there are several pressure units to be selected.
3. There are several installation ways and installing accessories to be selected.
4. Various dimensions of screw thread are available.

### Specification

Model	GS-40 GF-40 GU-40	GS-50 GF-50 GU-50	GF-60 GU-60	GS-40L GF-40L GU-40L	GS-50L GF-50L GU-50L	GF-60L GU-60L
Fluid	Air					
Port size	1/8"	1/4"	1/4"	1/8"	1/4"	1/4"
Temperature range	-20~60°C					
Accuracy grade	2.5					
Type	Standard type			Lower pressure type		
The pressure range of units and instructions	M: 0~1.0MPa B: 0~10 bar P: 0~140psi Z: 0~10kgf/cm <sup>2</sup> and 0~140psi(Dual-scale display)			0~0.4MPa 0~4 bar 0~60psi 0~4kgf/cm <sup>2</sup> and 0~60psi(Dual-scale display)		
Material of major parts	Shell: SPCC ; Core: Brass					

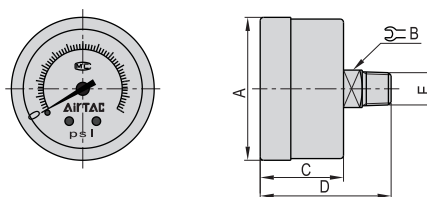
### Ordering code

**F-G S 40 10 M**



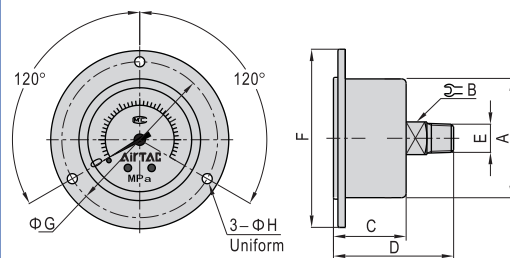
### Dimensions

#### GS Series



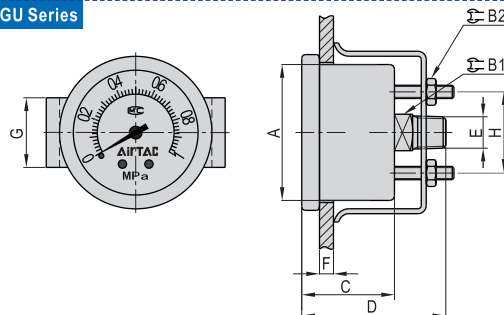
Model	A	B	C	D	E
GS-40	42	11	24.5	38.5	1/8"
GS-50	52	14	26.5	44.5	1/4"

#### GF Series



Model	A	B	C	D	E	F	G	H
GF-40	42	11	24.5	40.5	1/8"	60	52.5	3.4
GF-50	52	14	27.5	47.5	1/4"	71	62	4.4
GF-60	62	14	30	50	1/4"	82	71.5	4.4

#### GU Series



Model	A	B	B1	C	D	E	F(max)	G	H
GU-40	42	11	7	28	43.5	1/8"	5	21	24.5
GU-50	52	14	8	30.5	50	1/4"	7	24	35
GU-60	62	14	8	30.5	50	1/4"	7	25	35