

# Solenoid valve(3/2 way)



## 3V2 Series

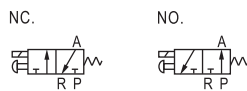


### Specification

| Model              | 3V206                                       | 3V208                        |
|--------------------|---|------------------------------|
| Fluid              | Air(to be filtered by 40 μm filter element) |                              |
| Acting             | Direct acting                               |                              |
| Port size ①        | 1/8"  | 1/4"                         |
| Valve type         | 3 port 2 position                           |                              |
| Orifice size       | 3.2mm <sup>2</sup> (Cv=0.18)                | 3.4mm <sup>2</sup> (Cv=0.19) |
| Lubrication        | Not required                                |                              |
| Operating pressure | 0~0.8MPa(0~114psi)                          |                              |
| Proof pressure     | 1.5MPa(215psi)                              |                              |
| Temperature °C     | -20~70                                      |                              |
| Material of body   | Aluminum alloy                              |                              |

① PT thread, NPT thread and G thread are available.

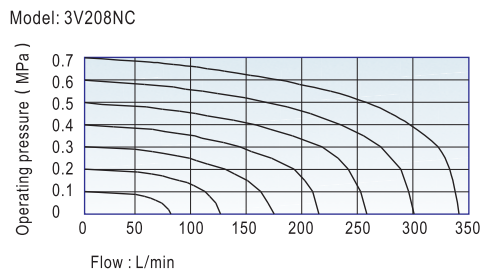
### Symbol



### Product feature

1. Direct acting type and normally closed mode, flexible in direction change.
2. Normally closed and normally open types are optional.
3. Structure in coaxial blanking mode: leakage proof and large air flow.
4. No need to add oil for lubrication.
5. Affiliated manual devices are equipped to facilitate installation and debugging.
6. Several standard voltage grades are optional.

### Flow chart

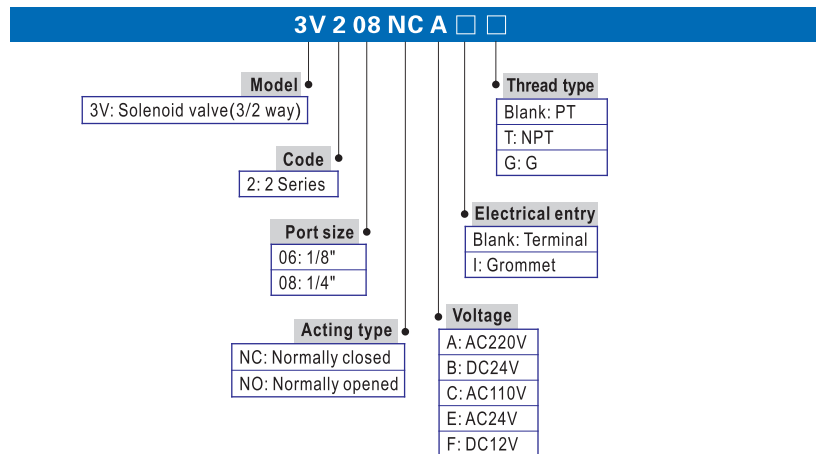


### Coil specification

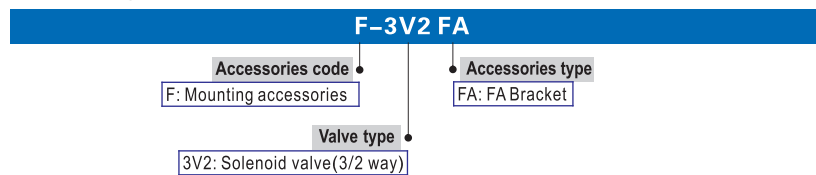
| Item                       | Specification                       |
|----------------------------|-------------------------------------|
| Standard voltage           | AC220V, AC110V, AC24V, DC24V, DC12V |
| Scope of voltage           | AC: ± 15% DC: ± 10%                 |
| Power consumption          | AC: 7VA DC: 7.0W                    |
| Protection                 | IP65(DIN40050)                      |
| Temperature classification | B Class                             |
| Electrical entry           | Terminal, Grommet                   |
| Activating time            | 0.05 sec and below                  |
| Max. frequency ①           | 10 cycle/sec                        |

① The maximum actuation frequency is in the no-load state.

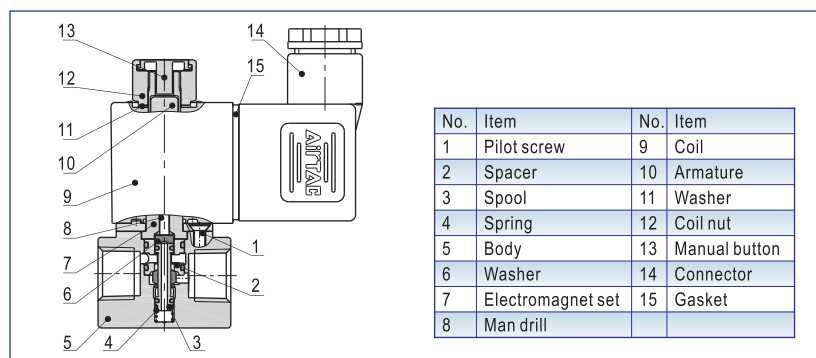
### Ordering code



### Ordering code of accessories



### Inner structure



# Solenoid valve(3/2 way)



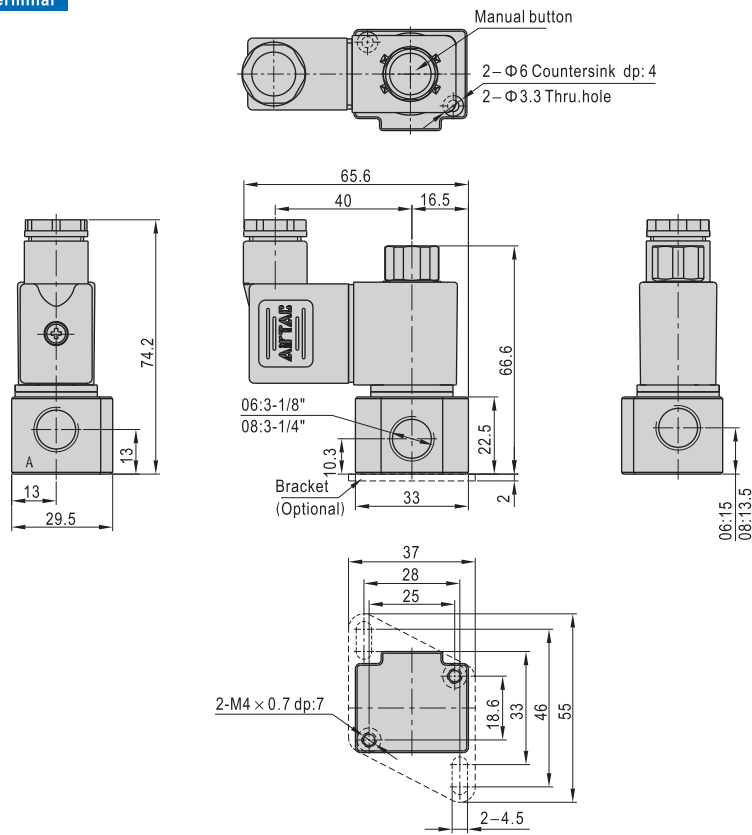
## 3V2 Series



3V2

### Dimensions

#### Terminal



#### Grommet

